



# CDW-16A SO<sub>2</sub> Sensor

## For weather automation applications



### Features

- High Sensitivity
- Low temperature Drift
- LED display optional
- Light construction
- Internal auto compensation
- Temperature compensation
- React quickly to Oxygen changes and output corresponding signals
- It can resist external interference and ensure the accuracy of measurement

Sulfur dioxide sensor is a device specifically designed to detect sulfur dioxide content in the environment. The sensor has many important features. The first is high sensitivity, which can detect very low concentrations of sulfur dioxide. This is essential for early detection of environmental pollution problems and for monitoring subtle changes in air quality. Secondly, it has good accuracy and stability, can work reliably under different environmental conditions, provide accurate data for environmental monitoring and industrial production, and its working principle is usually based on specific chemical or physical reactions.

### Typical installation locations

- Environmental monitoring
- Livestock farm
- Greenhouse
- Agriculture

### Design structure

Sulfur dioxide sensor is a device specifically designed to detect sulfur dioxide content in the environment. Its working principle is usually based on a specific chemical or physical reaction. For example, some sensors use electrochemical principles to determine the concentration of sulfur dioxide by generating an electrical signal through the reaction of electrodes with sulfur dioxide molecules. Others use optical principles to measure the absorption or scattering properties of sulfur dioxide to specific wavelengths of light.

### Easy installation

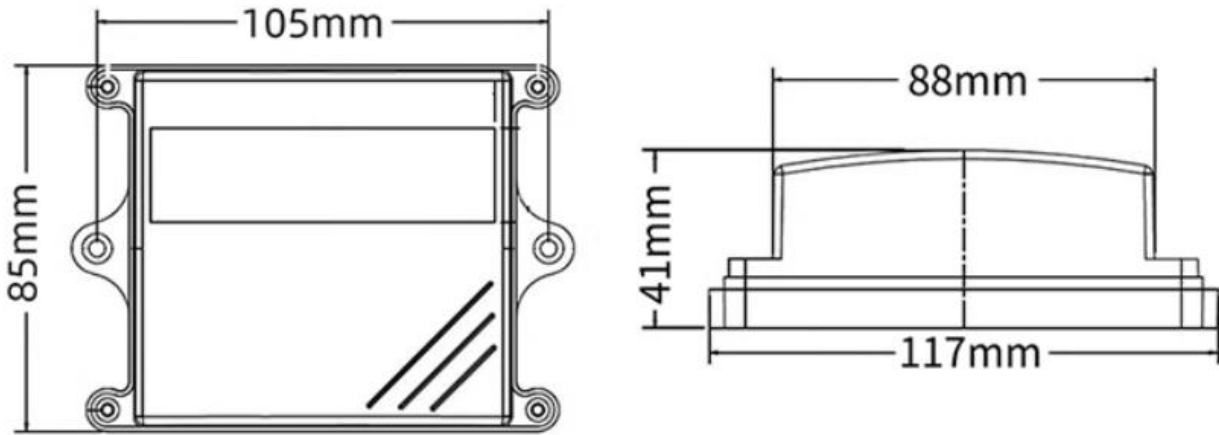
There should be sufficient space around the installation location to install and remove the sensor. Avoid choosing a narrow and crowded space to prevent difficulties caused by insufficient operation space during maintenance. It should be mounted as horizontally as possible to ensure that the sensor can accurately measure atmospheric Sulfur dioxide. If the installation is tilted, it may cause measurement errors.

### Reliable operation

Sulfur dioxide sensors usually have high accuracy and stability. Environmental factors such as temperature, humidity and pressure will affect the reliability of Sulfur dioxide sensors. High or low temperature and humidity may cause degradation or damage to the sensor performance.

# Dimensions & display

## CDW-16A connector dimension



## Multiple display

1. You can optionally add **temperature** and **humidity** parameters to the sensor.
2. You can choose LED or LCD screen display.



# Technical data

## Measurement performance, models CDW - 16 A

Item	Technical Specification
Range(concentration)	0-20PPM
Accuracy	±2%F.S(25℃)
Supply	12-24VDC 7-24VDC
Output	4-20mA,0-2V,0-5V,0-10V,RS485
Power Consumption	<0.25W
Warm Up Time	3min
Response Time	<15s
Temperature Drift	≤0.2%FS/℃
Repeatability	<±1%FS
Operating Temperature	-20℃-+60℃@15-80%RH
Storage	-40-70℃@20%-90%RH
Shell Material	ABS

Model number	Type	Output	Special features
CDF-10A	Wind speed	Pulses(PNP) RS485 4-20MA 0-5V	Three cup plastic wind speed
CDF-11A	Wind direction	RS485 4-20MA 0-5V	Plastic wind direction sensor
CDG-10B	Solar radiation	0-5V,4-20mA,RS485	Spectral range:300~1100nm
CDG-14A	Illuminance sensor	0-5V 0-10V 4-20mA RS485	Spectral range:380~780nm
CDY-12A	Economical Tipping Bucket Rainfall	Pulses(@10kΩ&0.01uF),RS485	Diameter :φ200mm, height: 271mm
CDW-10A	Wall-mounted Barometric Pressure	RS485,4-20mA,0-5V, 0-10V	Barometric range 600-1100hPa(mbar)
CDW-12A	CO2 sensor	4-20mA,0-5V,RS485	Range 0-2000ppm ,0-5000ppm,0-10000ppm
CDW-13B	Noise sensor	RS485	Range 30-130dB
CDW-14A	Paste Type Temperature	PT100 PT1000 RS485	Range -50-+100℃, -20-+50℃
CDW-21A	Dust sensor	RS485 4-20mA,0-5V,0-10V	PM1.0,PM2.5,PM10
CDW-22A	Leaf Wetness	4-20mA,0-5V,0-2V,RS485	Wetness: 0-100% Temperature: -40-+80℃
CDW-33A	Atmospheric Temperature, Humidity & Pressure	RS485	Shelter installation
CDW-15A	O2 Concentration	4-20mA,0-5V,0-10V,RS485	Range 0-30%
CDW-16A	SO2 Concentration	4-20mA,0-5V,0-10V,RS485	Range 0-20PPM 0-2000PPM
CDW-17A	NH3 Concentration	4-20mA,0-5V,0-10V,RS485	Range 0-100PPM 0-1000PPM 0-5000PPM
CDW-18A	H2S Concentration	4-20mA,0-5V,0-10V,RS485	Range 0-100PPM 0-1000PPM
CDW-19A	CO Concentration	4-20mA,0-5V,0-10V,RS485	Range 0-1000PPM 0-2000PPM
CDW-1T0	Visibility sensor	RS485	Range 0-10Km/0-20Km/0-30Km
CDW-1TX	Multi-in-one gas Sensor	RS485	Multi-parameter integration

Published by CODA | © CODA 2024



All rights reserved. Any logos and/or product names are trademarks of CODA or its individual partners. Any reproduction, transfer, distribution or storage of information contained in this document is prohibited. All specifications — technical included — are subject to change without notice.

**Hunan Coda Electronic Tech Co.,Ltd**

T:+86-0731-85117089 W:www.codasensor.com E:Molly@codasensor.com