



CDF-26B Wind Speed & Direction Display Recorder

For weather automation applications



Features

- Low starting threshold
- Overall carbon fiber material
- Strong corrosion resistant ability
- Light structure
- Various output signals optional
- Easy Installation
- Three-cup design: The three-cup structure is sensitive to wind response and can quickly and accurately sense changes in wind speed
- Strong corrosion resistance: Plastic material has good corrosion resistance and can be used for a long time in harsh environments

CDF-26B wind speed & direction display recorder is a meteorological instrument used to measure and record the wind speed and wind direction. The product adopts high-definition display the current date, time, the wind speed & wind direction value, built-in high-capacity flash memory chip which can be automatically stored for at least one-year meteorological data. The instrument can be widely used in meteorology, agriculture, forestry, environmental protection, marine, airport, port, scientific research and other fields. A complete set of products including CDH-TEA data logger. The default is CDF-10A & CDF-11A, the CDH-TEA data logger can also match CDF-21A/22A to use.

Typical installation locations

- Top of building
- Walls
- Open areas
- Outdoor locations

Design structure

Three-cup wind speed sensor is a common instrument used to measure wind speed, which is mainly composed of shell, wind cup and circuit module. The sensing part is usually composed of three or four conical or hemispherical empty cups, which are fixed on a trident star bracket at 120° each other or a cross bracket at 90° each other, and the concave surface of the cup is arranged in one direction, and the entire transverse arm is fixed on a vertical rotating axis.

Easy installation

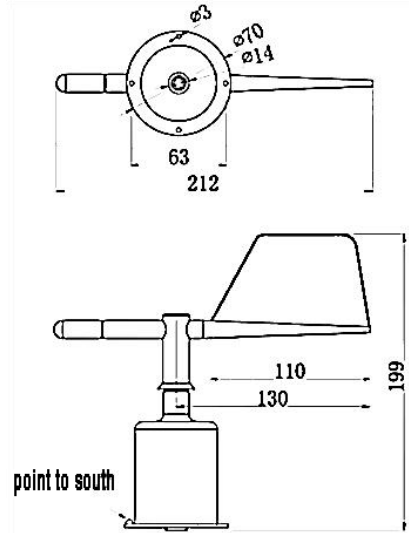
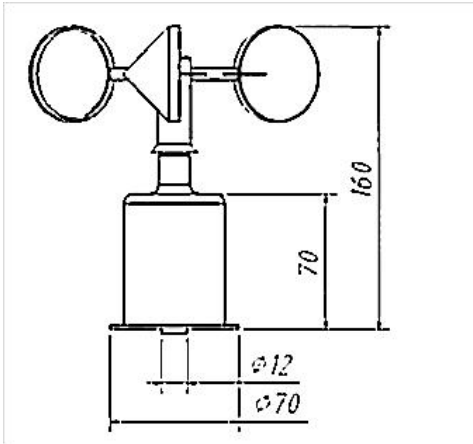
Professional mounting brackets can be used to hold the sensor in place to prevent shaking or displacement due to wind or other external forces. The installation bracket should have sufficient strength and stability to withstand the wind effect under various adverse weather conditions. or a cross bracket at 90° each other, and the concave surface of the cup is arranged in one direction, and the entire transverse arm is fixed on a vertical rotating axis.

Reliable operation

The three-cup design is sensitive to wind and can quickly and accurately sense changes in wind speed. Its measurement accuracy remains stable within a certain range, and there will be no obvious deviation due to environmental changes or long-term.

Dimensions & installing

CDF-26B connector dimension



Movable pole bracket



Cross arm bracket



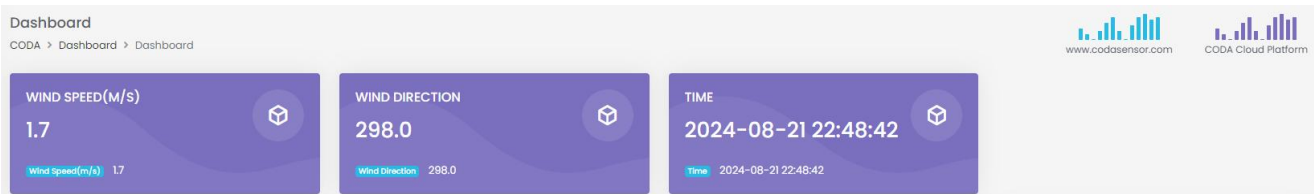
Stainless steel bracket



Output characterist

4G/WIFI/Ethernet

Add wireless module, data upload to the cloud (Historical data can be downloaded)



Online LCD display (Historical data can be downloaded)



Relay output

Relay outputs can be customized to control other devices

Technical data

Measurement performance, models CDF - 26 B

| Item | Wind speed (CDF-10A) | Wind direction (CDF-11A) |
|-------------------------|---|--------------------------|
| Range | 0-45m/s | 0-360° |
| Resolution | 0.1m/s | 1° |
| Accuracy | ±(0.3+0.03V) m/s | ±3° |
| Power supply | 12VDC (adapter AC100V-AC240V) | |
| Display | 4.3" color touch screen | |
| Response time | <500mS | |
| Storage capacity | 65000 pieces of data can be stored. | |
| Recording time interval | 1min to 240 min optional | |
| Measurement parameters | 32 Max. | |
| Power consumption | <4W | |
| Operating temperature | -40℃~+70℃@5%RH~95%RH | |
| HMI processor | ARM RISC 528MHz | |
| Relay and alarm output | Customized alarm and relay control output | |

| Model number | Type | Output | Special features |
|--------------|--|---|---|
| CDF-10A | Wind speed | Pulses(PNP) RS485 4-20MA 0-5V | Three cup plastic wind speed |
| CDF-11A | Wind direction | RS485 4-20MA 0-5V | Plastic wind direction sensor |
| CDF-12A | Pipe wind speed | RS485 4-20MA 0-5V 0-10V | Duct type wind speed sensor |
| CDF-13B | Wind speed display controller | LED display | Wireless output relay output |
| CDF-15A | Digital Anemometer | LCD display | Hand-held anemometer |
| CDF-20B | Combined Wind Speed & Direction | RS485 4-20MA 0-5V 0-10V | Integrated wind speed and direction |
| CDF-21A | Ultrasonic Wind Speed & Direction | RS232/RS485(Modbus/NMEA-0183), Voltage(0-5V),Current(4-20mA) optional | Ultrasonic principle |
| CDF-22A | Mini Ultrasonic Wind Speed & Direction | 4-20mA,RS232/RS485(Modbus or NMEA-183), SDI-12 | Ultrasonic principle |
| CDF-26B | Recorder station for wind | LCD display & 4G WIFI Ethernet | Wind speed & direction recorder |
| CDQ-T6A | Miniature Ultrasonic Automatic Weather | RS485 | Wind speed & direction temp & humidity & pressure |
| CDW-33A | Atmospheric Temperature, Humidity & Pressure | RS485 | Shelter installation |
| CDY-12A | Economical Tipping Bucket Rainfall | Pulses(@10kΩ&0.01uF),RS485 | Diameter :φ200mm, height: 271mm |
| CDG-10B | Solar Radiation | 0-5V,4-20mA,RS485 | Spectral range:300~1100nm |



Published by CODA | © CODA 2024



www.codasensor.com

All rights reserved. Any logos and/or product names are trademarks of CODA or its individual partners. Any reproduction, transfer, distribution or storage of information contained in this document is prohibited. All specifications — technical included — are subject to change without notice.

Hunan Coda Electronic Tech Co.,Ltd

T:+86-0731-85117089

W:www.codasensor.com

E:Molly@codasensor.com