



CDF-22A Mini Ultrasonic Wind Speed & Direction Sensor

For weather automation applications



Features

- Adapt to complex weather conditions
- No moving parts, long service life
- The surface preservative treatment
- Strong anti-interference
- High accuracy
- Automatic heating anti-frozen
- Ultrasonic anemometers usually use high-frequency ultrasound for measurement and can complete multiple measurements in a short period of time

CDF-22A The wind speed and direction meter are a kind of measuring instrument which uses the time difference of ultrasonic wave in the air to measure the wind speed and direction. CDF-22A uses low-power chip with power consumption of only 0.2W, which is especially suitable for solar or battery powered environment with high power consumption requirements. Due to the adoption of new technology and new process, the structure is more compact and compact. Optional temperature and air pressure module.

Typical installation locations

- Top of building
- Walls
- Open areas
- Outdoor locations

Design structure

It mainly calculates the wind speed by measuring the time difference between the propagation of ultrasonic waves in the air. The sensor generally has two pairs of ultrasonic probes, which are mounted opposite each other. One of the pair of probes transmits ultrasonic waves and the other receives them.

Easy installation

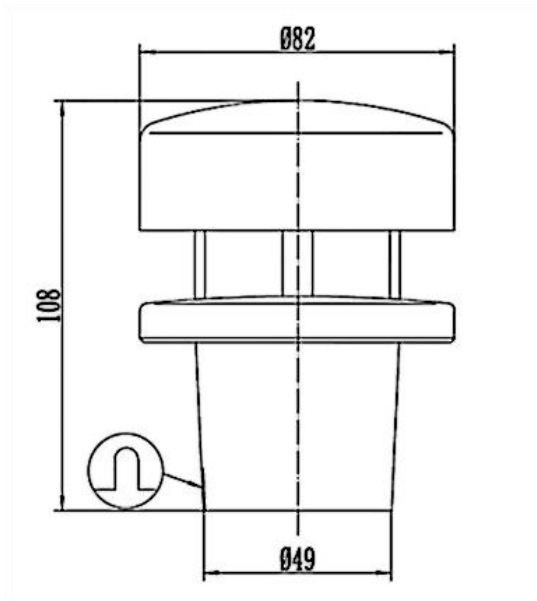
The ultrasonic anemometer is installed on the bracket and fixed by bolts or other fasteners. During installation, attention should be paid to the direction of the anemometer to ensure that the ultrasonic probe can work normally. After installation, the ultrasonic anemometer is adjusted and calibrated. By comparing the measurement results of the standard anemometer, the anemometer can be calibrated to ensure the measurement accuracy.

Reliable operation

Strong anti-interference ability: ultrasonic anemometer is not affected by electromagnetic interference, vibration and other factors, and has strong anti-interference ability. In complex environments, such as industrial sites, field, etc., it can also work stably and reliably.

Dimensions & installing

CDF-22A connector dimension



Installing tpye 1



Installing tpye 2



Output characterist

RS485

Modbus-rtu bus protocol Baud rate: 9600bps,Data bits:8,Stop bit:1,Check bit:Even

SDI-12

Band rate: 1200, Start bit:1,Data bits:7,Check bit: EVEN, Stop bit:1,sensor address: factory default 0

NMEA0183

Actively sends data to the specified serial port(Sea wind speed test)

0-5V 4-20mA

Technical data

Measurement performance, models CDF - 22 A

Item	Technical Specification
Power Supply	12-24VDC
Power consumption	0.2W
Output Signal	4-20mA①,RS232/RS485(Modbus or NMEA-183), SDI-12
Operating Temperature	-30℃~+60℃
Ingress Protection	IP65
Dimension	Φ 82*108mm
Weight(unpacked)	0.8kg
Main material	ABS

Item	Technical Specification		
	Range	Resolution	Accuracy
Wind speed	0-40m/s	0.1m/s	±3%
Wind direction	0-360°	1°	±3°
Starting Threshold	0.1m/s	0.1m/s	
Extreme Wind Speed		60m/s	

Model number	Type	Output	Special features
CDF-10A	Wind speed	Pulses(PNP) RS485 4-20MA 0-5V	Three cup plastic wind speed
CDF-11A	Wind direction	RS485 4-20MA 0-5V	Plastic wind direction sensor
CDF-12A	Pipe wind speed	RS485 4-20MA 0-5V 0-10V	Duct type wind speed sensor
CDF-13B	Wind speed display controller	LED display	Wireless output relay output
CDF-13B	Wind speed display controller	LED display	Wireless output relay output
CDF-15A	Digital Anemometer	LCD display	Hand-held anemometer
CDF-21A	Ultrasonic Wind Speed & Direction	RS232/RS485(Modbus/NMEA-0183), Voltage(0-5V),Current(4-20mA) optional	Ultrasonic principle
CDF-22A	Mini Ultrasonic Wind Speed & Direction	4-20mA,RS232/RS485(Modbus or NMEA-183), SDI-12	Ultrasonic principle
CDF-26B	Recorder station for wind	LCD display & 4G WIFI Ethernet	Wind speed & direction recorder
CDQ-T6A	Miniature Ultrasonic Automatic Weather	RS485	Wind speed & direction temp & humidity & pressure
CDW-33A	Atmospheric Temperature, Humidity & Pressure	RS485	Shelter installation
CDY-12A	Economical Tipping Bucket Rainfall	Pulses(@10kΩ&0.01uF),RS485	Diameter:φ200mm, height: 271mm
CDG-10B	Solar Radiation	0-5V,4-20mA,RS485	Spectral range:300~1100nm



Published by CODA | © CODA 2024



www.codasensor.com

All rights reserved. Any logos and/or product names are trademarks of CODA or its individual partners. Any reproduction, transfer, distribution or storage of information contained in this document is prohibited. All specifications — technical included — are subject to change without notice.

Hunan Coda Electronic Tech Co.,Ltd

T:+86-0731-85117089

W:www.codasensor.com

E:Molly@codasensor.com