

# USER GUIDE FOR CDF-13B WIND SPEED DISPLAY CONTROLLER

CDF-13B-01-MN-10

SEP-2024

*This document is applied for the following products*

SKU	CDF	HW Ver.	1.0	FW Ver.	1.0
Item Code	CDF-13B	Wind Speed display, Lora Wireless Output, ABS&Aluminum alloy & 304SS, 0-60m/s, ±1m/s			

## 1. Introductions

The CDF-13B wind speed display controller gives a visual indication of real-time wind speed. High performance, low power consumption microprocessor is built in the housing shell. It is LED digital display. The wind speed early warning value and alarm value can be set by buttons on the panel. When early warning or alarming, the relay1 or relay2 will act. CDF-13B is the companion to our CDF-10B wind speed sensor.



## 2. Specification

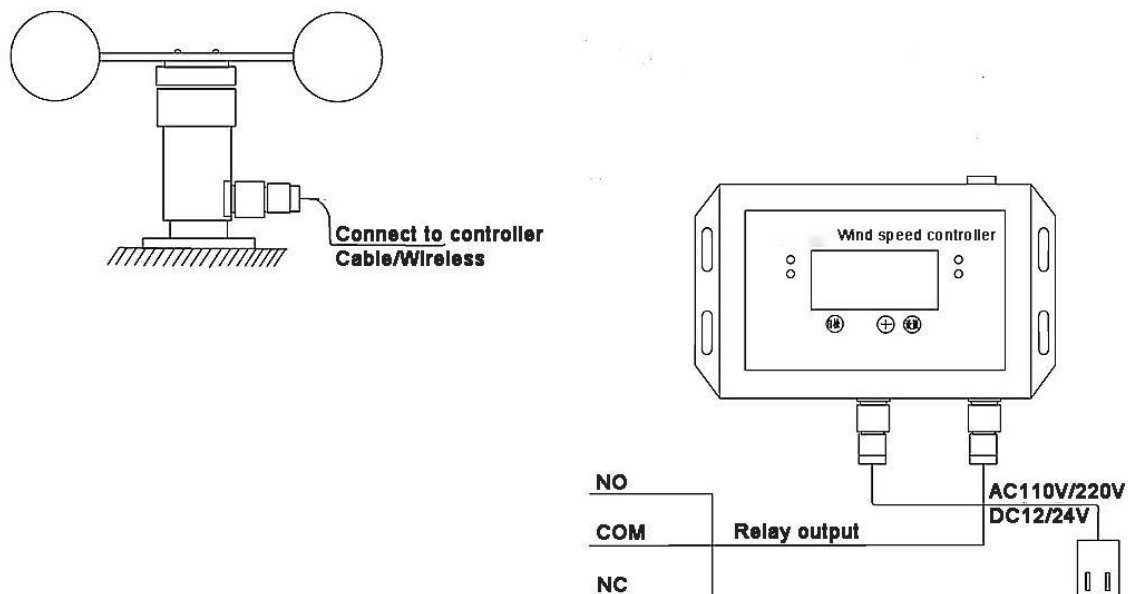
Items	Specification	
Unit	m/s	km/h
Range	0-60m/s	0-216km/h
Resolution	0.1m/s	0.1km/h(<100km/h), 1km/h(≥100km/h)
Accuracy	±1m/s	0.3km/h(<100km/h), 3km/h(≥100km/h)
Signal input	Mark on the label	
Alarm response time	<100mS	
Alarm type	Sound and light alarm	
Contact capacity	5A/30VDC	
Early warning	Any value within 0m/s ~39m/s, the early warning value must be lower than the alarm value, relay1 act	Any value within 0km/h ~99km/h, the early warning value must be lower than the alarm value, relay1 act
Alarm	Any value within 1m/s~40 m/s, relay2 act	Any value within 1 km/h~144km/h, relay2 act
Operating temperature	-30℃-+70℃	
Current	<180mA	
Power supply	100-240VAC@50HZ with adapter/12VDC	

# 3. Working Process

Three-cup wind speed sensor is a common instrument used to measure wind speed, which is mainly composed of shell, wind cup and circuit module. The sensing part is usually composed of three or four conical or hemispherical empty cups, which are fixed on a trident star bracket at 120° each other or a cross bracket at 90° each other, and the concave surface of the cup is arranged in one direction, and the entire transverse arm is fixed on a vertical rotating axis.



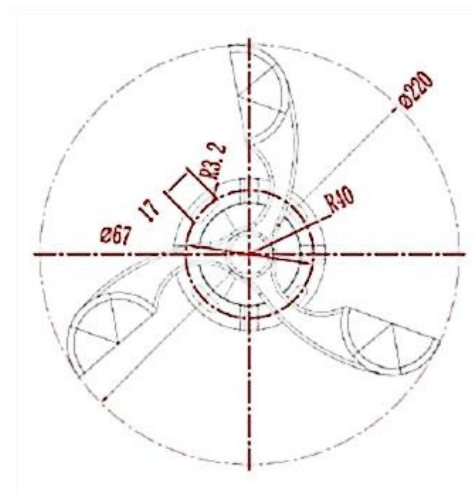
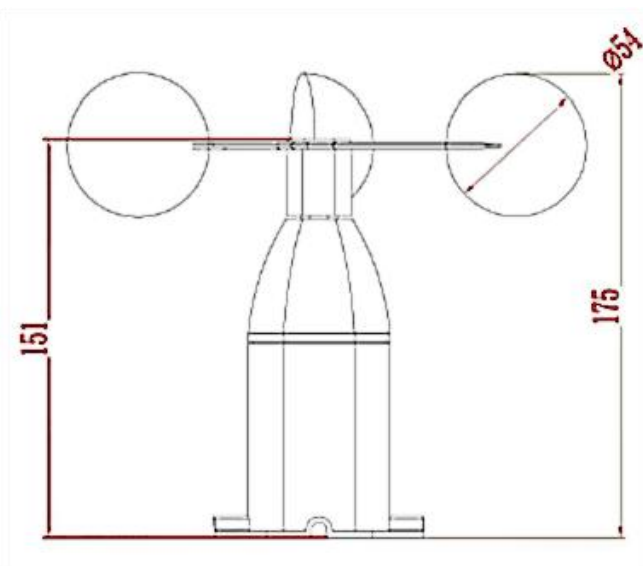
# 4. Electrical Connections



Early warning		Alarm		Supply	
Cable	Relay output	Cable	Relay output	Cable	Power
Green	NC	Yellow	NC	Red	V+
Brown	COM	Black	COM	Black	V-
White	NO	Red	NO	/	/

Note: This product has been tested and complies with European CE requirements for EMC directive.

## 5. Dimensions

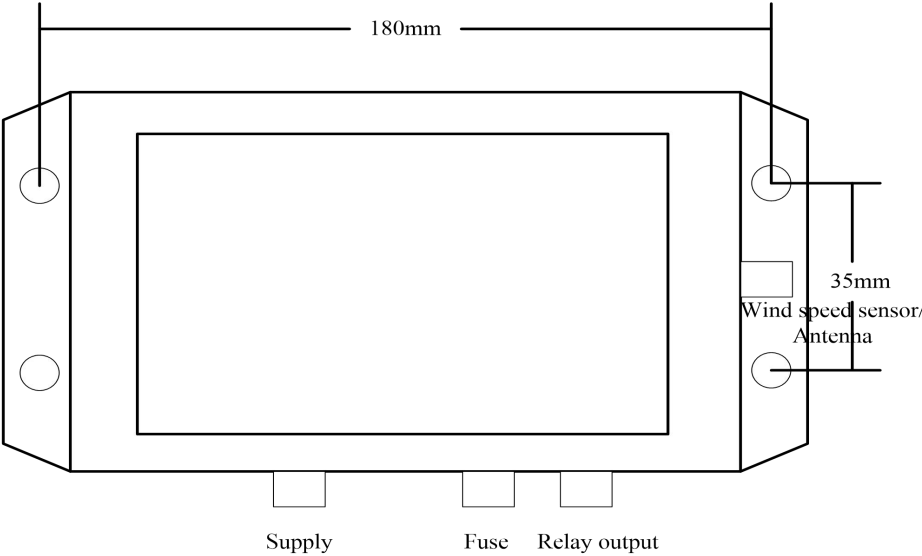


# 6. Installation

Step 1: Open the box and take out the wind sensor



Step 2: Fix the position according to the controller positioning size.



**Step 3:** Flange mounted, fix four screws on the bracket and keep the product horizontal.



## 7. Operation

- Fix the wind speed sensor and make sure its cable is well connected with the controller. Turn on the power of wind controller, it will show the current real-time wind speed. If the cable is not well connected or wired wrong , it will show “E.00”;
- Press the button “Setting”, it will show the flicking”1”,press button “+” to adjust the early warning value,press button “Setting” once again, it will show the flicking “2”,press button “+” to adjust the alarm value. Press button “Setting” once it will enter into the normal working condition.The early warning value should be lower than the alarm value ;
- Press button “Test”,the alarm light will be on,the sound will be alarm, the relay will operate.

## 8. Troubleshooting

If some error occurs, such as no output or unreliable. Please disconnect the sensor first, then check if the sensor installation and connection is correct with the instruction manual.

If still not successful, please contact our company.

## 9. Support contacts:



Complies with applicable CE directives.

Manual subject to change without notice. Version 1.0

Copyright © 2015 Hunan Coda Electronic Tech Co.,Ltd

**Hunan Coda Electronic Tech Co.,Ltd**

T:+86-0731-85117089

W:www.codasensor.com

E:Molly@codasensor.com